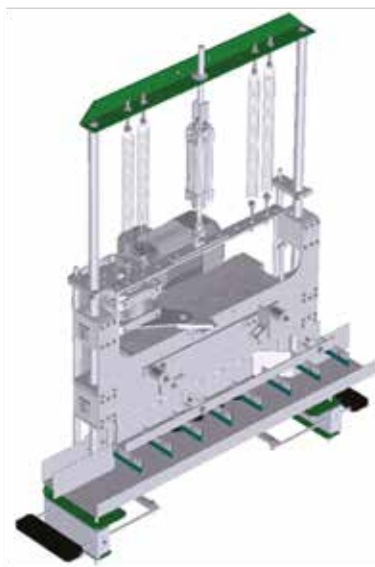


# ROW DRILL UNIT TECHNICAL SHEET

This row drill units is easy to incorporate and control and can be build in on conveyor. It is a strong construction with selfcleaning/re-use substrate.

- We should be pleased to offer you this from our standard assortment.



## SPECIFICATIONS

- **Diameter:** Various
- **Depth:** Adjustable
- **No. of drills:** Custom made for tray
- **Weight:** 50 kg

## PARTS INCLUDED

- **Manual:** English
- **CE-certified:** CE or UL, CSA

## ELECTRICITY

- **Power supply:** 3\*400/220 volt + N + ground



Storstrømsvej 55  
DK - 6715 Esbjerg N  
Tel.: +45 7614 7676

[www.ellepot.com](http://www.ellepot.com)



©Ellepot 2024