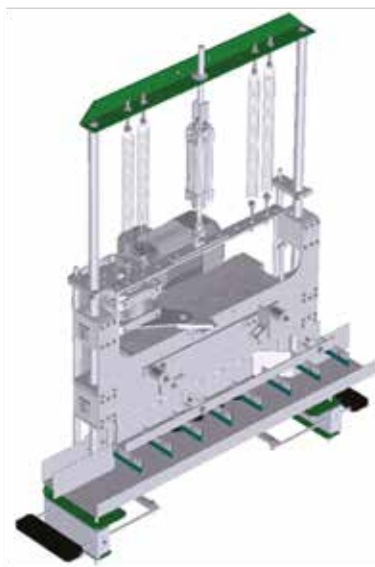


DRILL UNIT TECHNICAL SHEET

This drill units is easy to incorporate and control and can be build in on conveyoyr. It is a strong construction with selfcleaning/re-use substrate.

- We should be pleased to offer you this from our standard assortment.



SPECIFICATIONS

- **Diameter:** Various
- **Depth:** Adjustable
- **No. of drills:** Custom made for tray
- **Weight:** 50 kg

PARTS INCLUDED

- **Manual:** English
- **CE-certified:** CE or UL, CSA

ELECTRICITY

- **Power supply:** 3*400/220 volt + N + ground



ELLEPOT®
GROW SMARTER

Storstrømsvej 55
DK - 6715 Esbjerg N
Tel.: +45 7614 7676

www.ellepot.com

